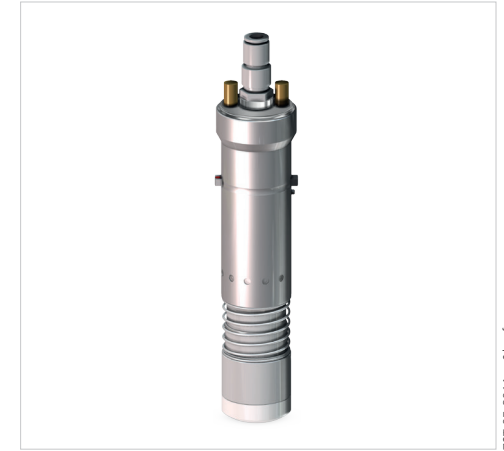


Overview of oscillating tools



ZST-05-2014-m&k_sfr

Electric Oscillating Tool - EOT 0.5

Cutting of thin, soft to medium hard materials such as folding carton, corrugated cardboard, or polypropylene, for example.

Knife stroke: 0.5 mm

Electric drive.

No cooling.

Compatible with **G3**, **S3**, **L3**.

Electric Oscillating Tool - EOT 1.0

Cutting of soft to medium hard materials such as cardboard, corrugated cardboard, leather, textiles, or foam board.

Knife stroke: 1 mm

Electric drive.

No cooling.

Compatible with **G3**, **S3**, **L3**.

Electric Oscillating Tool - EOT-250

Cutting of thick, tough materials like corrugated cardboard, carton, twin-wall sheeting, sole material, felt, or leather.

Knife stroke: 2.5 mm

Powerful electric drive.

Air cooling of knife and motor.

Air consumption: max 70 l/min

Operating pressure: 0.6 MPa

Compatible with **G3**, **S3**, **L3**.

Pneumatic Oscillating Tool - POT

Cutting of thick, tough or soft and thick materials like corrugated cardboard, rubber, foam, sole material, felt, leather, or multi-layered textiles.

Knife stroke: 8 mm

Powerful compressed air drive.

Air consumption of 300 - 400 l/min

Operating pressure: 0.8 MPa

Compatible with **G3**, **S3**, **L3**.

Guideline for oscillating tools

		EOT 0.5	EOT 1.0	EOT-250	POT 0.6	POT 1.5
	Knife holder	0.63 mm		1.5 mm	0.63 mm	1.5 mm
	Cutting speed	high	medium	medium - high	low	low
	Cutting force	medium	medium	high	high	high
Graphic	Foam panels ≤ 5 mm	✓	✓	✓	✓	✓
	Foam panels > 5 mm	✗	✓	✓	✓	✓
	Thin twin-wall sheet, flexible	✓	✓	✓	✓	✓
	Thick twin-wall sheet, rigid	✗	✗	✓	✓	✓
	Sandwich board	✗	✗	✓	✓	✓
Packaging	Folding carton ≤ 600 g/m ²	✓	✓	✓	✓	✓
	Folding carton 600- 1200 g/m ²	✗	✓	✓	✓	✓
	Corrugated cardboard ≤ 4 mm	✓	✓	✓	✓	✓
	Corrugated cardboard 4-6 mm	✗	✓	✓	✓	✓
	Corrugated cardboard 6-15 mm	✗	✗	✓	✓	✓
	Corrugated cardboard / special flute design 20-50 mm	✗	✗	✗	✗	✓
	Polypropylene ≤ 1.5 mm	✓	✓	✓	✓	✓
Leather	Leather, synthetic leather	✗	✓	✓	✓	✓
	Laminated leather	✗	✓	✓	✓	✓
	Sole material	✗	✗	✓	✓	✓
	Cardboard stencils	✗	✓	✓	✓	✓
Textile	Textiles, clothing	✓	✓	✓	✓	✓
	Techn. textiles, home textiles, tents	✓	✓	✓	✓	✓
	Felt	✗	✓	✓	✓	✓
Specialty applications	Carbon fiber, glass (woven, non-woven fabric, mats)	✗	✓	✓	✓	✓
	Rubber 1-5 mm (≤ 80 shore)	✗	✓	✓	✓	✓
	Rubber 5-20 mm (≤ 70 shore)	✗	✗	✗	✓	✓
	Soft foam 3-30 mm	✗	✓	✓	✓	✓
	Soft foam 30-50 mm	✗	✗	✓	✗	✓
	PA, PE, PTFE Panels ≤ 2.5 mm	✓	✓	✓	✓	✓
	Honeycomb 5-30 mm (core made from paper)	✗	✗	✓	✓	✓
	Honeycomb 30-50 mm (core made from paper)	✗	✗	✓	✗	✓
	Expanded PVC 5-50 mm	✗	✗	✓	✗	✓
	Multi-layer cutting of textiles 1-20 mm	✗	✗	✓	✓	✓

Legend:

- ✓ ideal Tool
- ✓ Cutting possible
- ✗ Cutting not possible

The range of application varies depending on material and knife installed.