

Universal Module Large - UM-60L

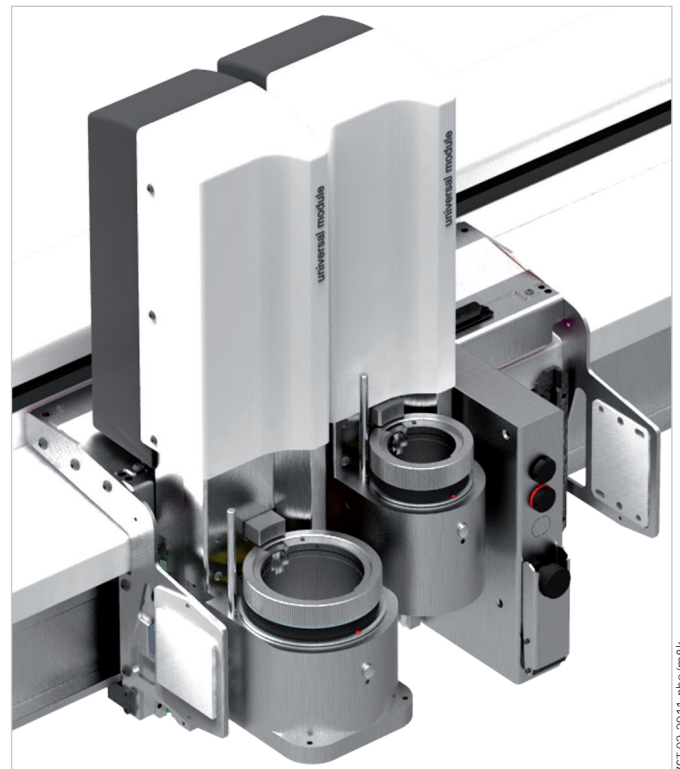
The "Universal Module Large" (UM-60L) was developed for accommodating tools that, because of their size, do not fit into the standard "Universal Module UM-60".

With an inside module diameter of 60 mm, the UM-60L can hold larger tools such as, for instance, the inkjet marking insert "VideoJet 1510".

It provides added flexibility, particularly in conjunction with the Generic Application Tool (GAT), which is supported by the G3 cutter firmware as well as the ZCC software. In combination, the UM-60L and GAT make it

possible to implement a wide variety of application-specific tools, provided they fit into an insert sleeve compatible with the UM-60L. Torque support for driven tools is integrated. An optional UM-60L glide disk is available for processing materials that would otherwise have a tendency to bunch up before the cutting blade.

Zünd recommends using the regular UM-60 for all standard Zünd tools, including the DRT, EOT, and POT.



ZSF-03-2011-photo/m&k

Specifications

Maximum load: 5 kg/11 lbs.

Stroke: 83 mm/3¼ in.

Interior module diameter: 60 mm.

Impact on working area: loss of 16 mm in X-dir. at rear.

UM-60L supported by cutter firmware from rel. V1.47.

UM-60L supported by ZCC from rel. V1.3.

Compatible with **G3**.

Benefits

Enables use of tools with outside diameter of up to Ø60 mm.

GAT/UM-60L combination supported by both cutter firmware and ZCC software.

Integrated torque support for driven tools.

Supported by tool detection.

Optional glide disk available.

Headquarters

Zünd Systemtechnik AG

Industriestrasse 8 · CH-9450 Altstätten · T +41 71 757 81 00 · F +41 71 757 81 11 · info@zund.com · www.zund.com